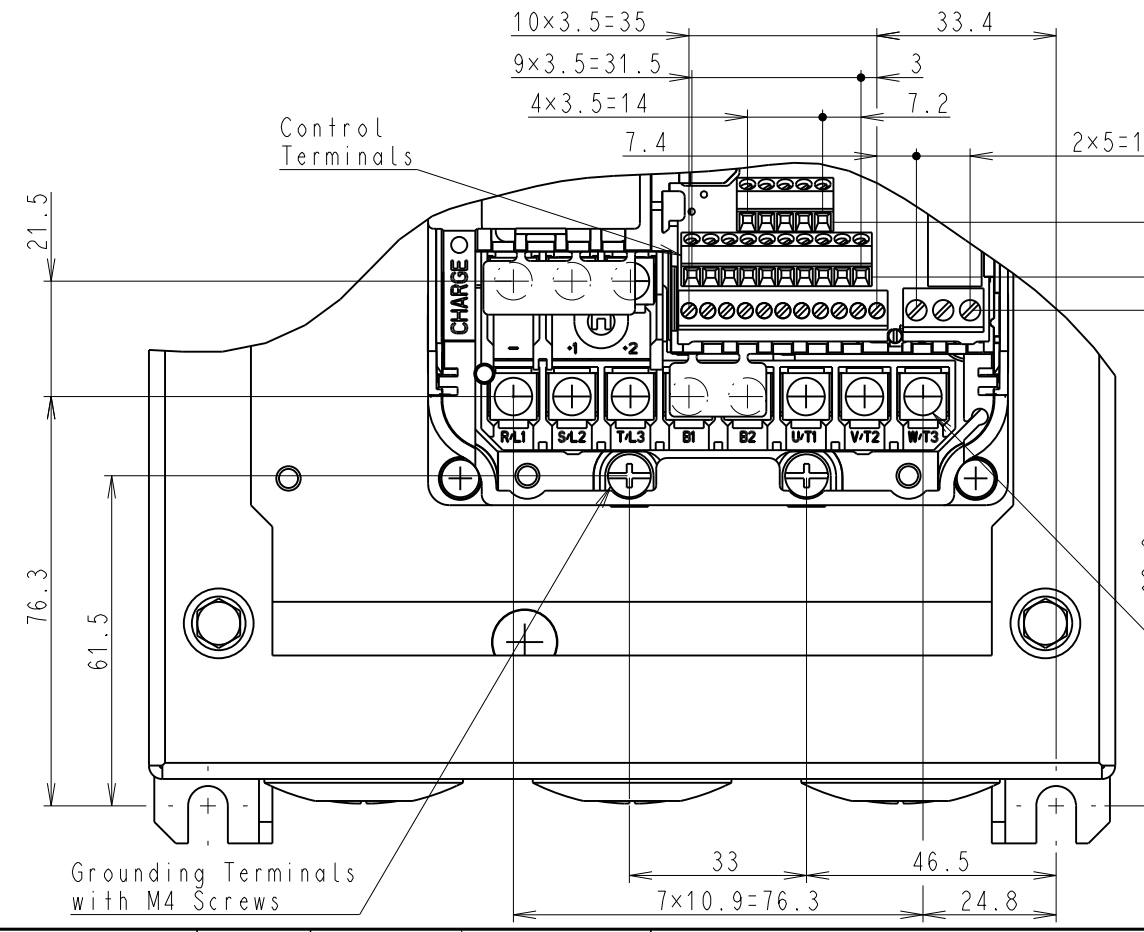
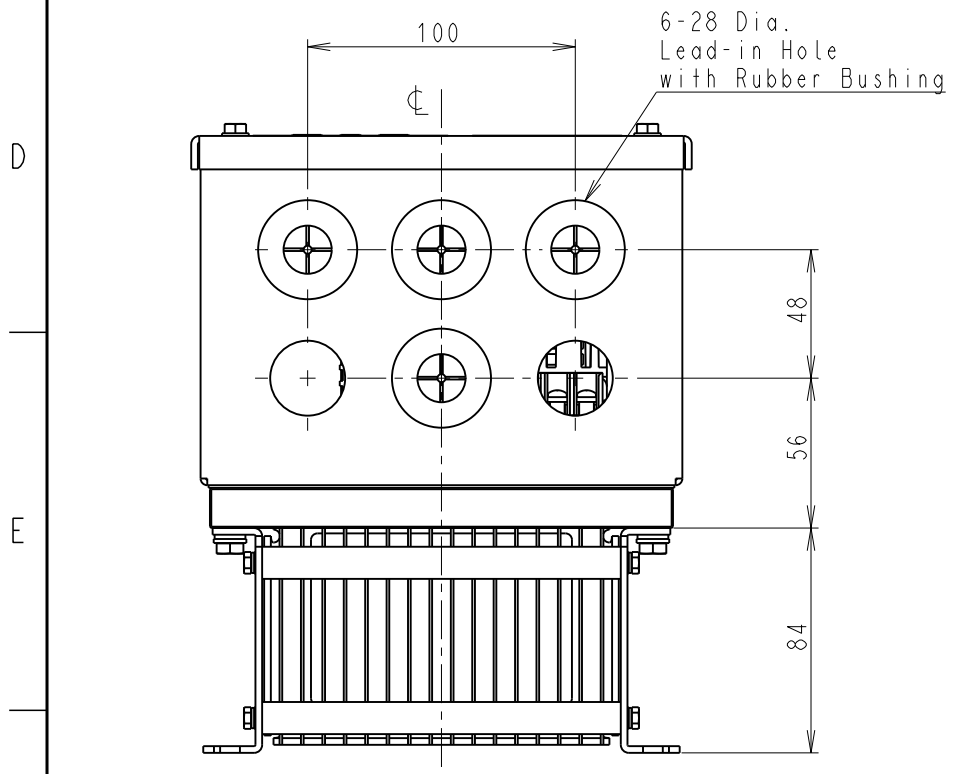
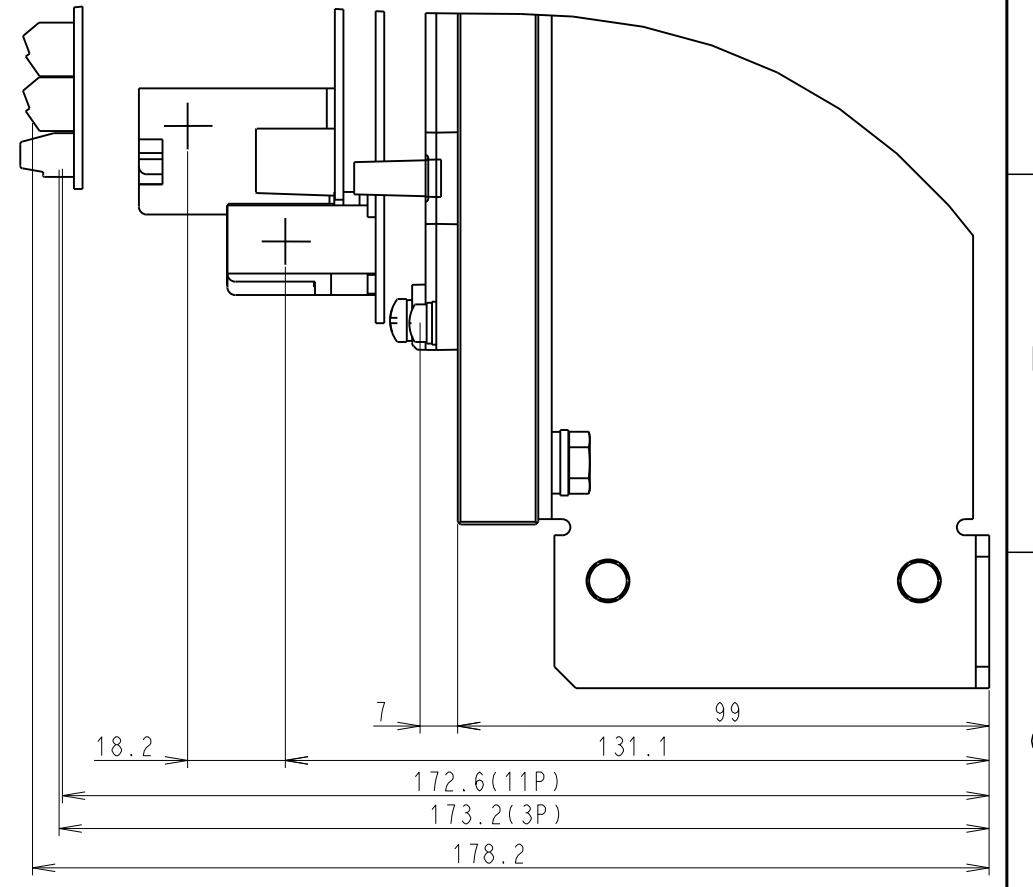
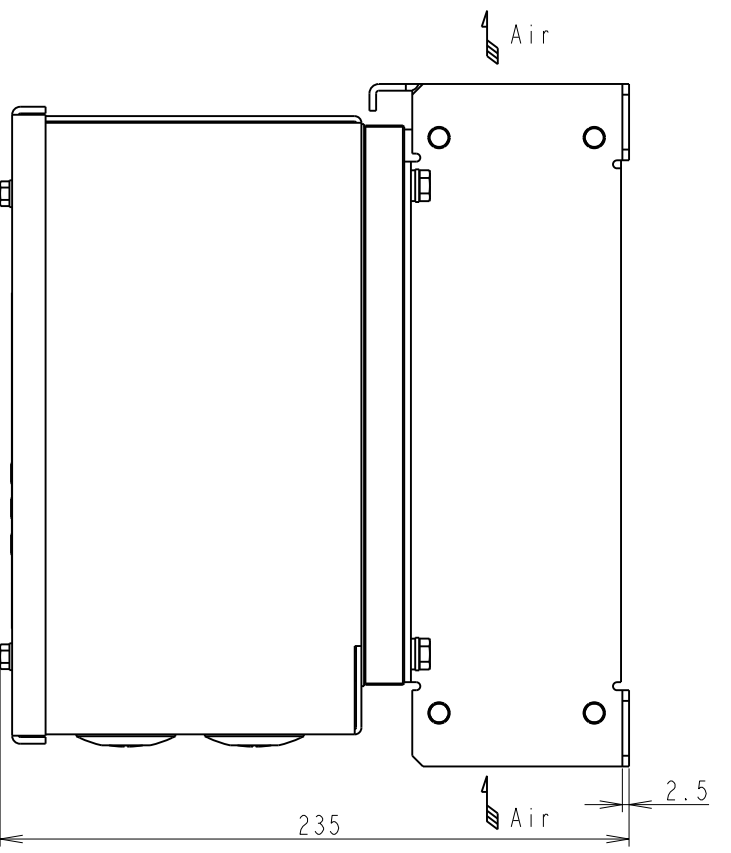
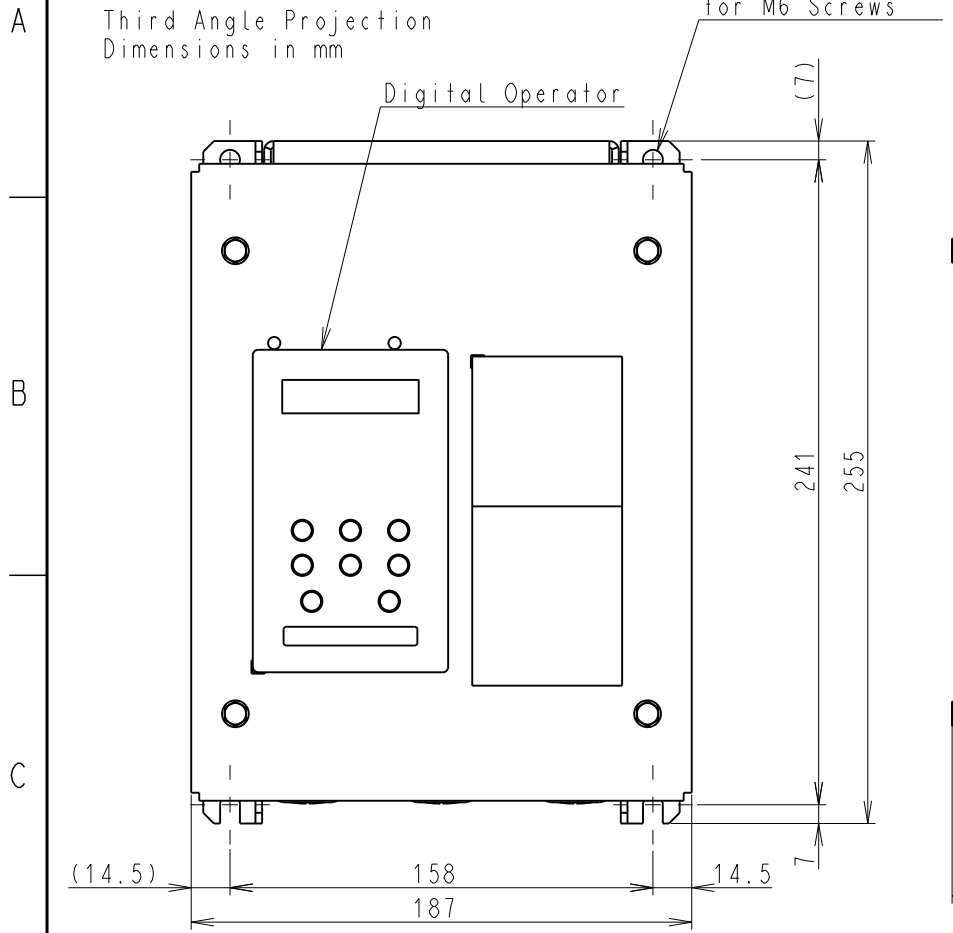


DWG. NO. EZZ901709-1/1

Model No.	Max Appli. Motor (kW)		Terminal Symbol			Cooling Fan	Mass (kg)
	Normal Duty	Heavy Duty	INPUT OUTPUT(MOTOR)				
CIMR-V#BA0010G	2.2	1.5	R/L1	S/L2	U/T1 V/T2 W/T3	-	7.8



Main Terminal Location

-	+1	+2				
R/L1	S/L2	T/L3	B1	B2	U/T1	V/T2 W/T3

Detail (without Front cover) SCALE 1:√2

REVISIONS	SCALE 1 : √2		DRAW. Jul.17,2008 A.Yoshimoto CHECK Jul.17,2008 K.Fukuda APPR. Jul.17,2008 H.Okayama	TITLE V1000 NEMA4X/IP66 TYPE DIMENSION DIAGRAM	DWG. NO. EZZ901709	REV. 1 1
-----------	--------------	--	--	---	--------------------	-------------